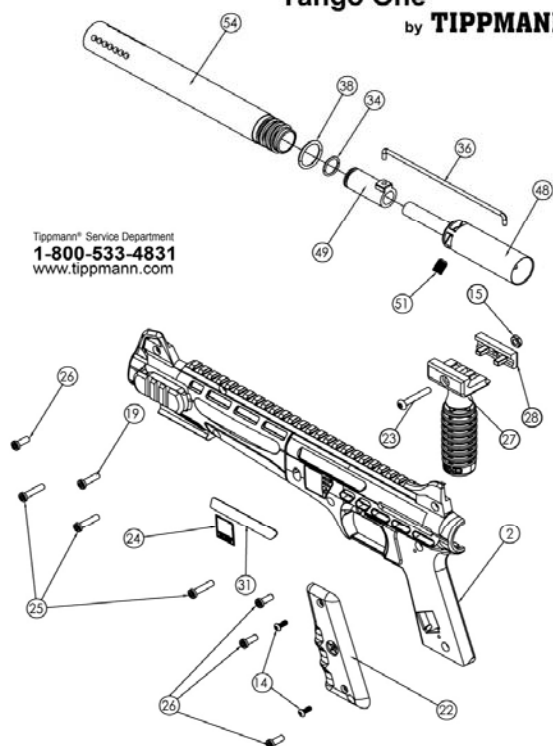
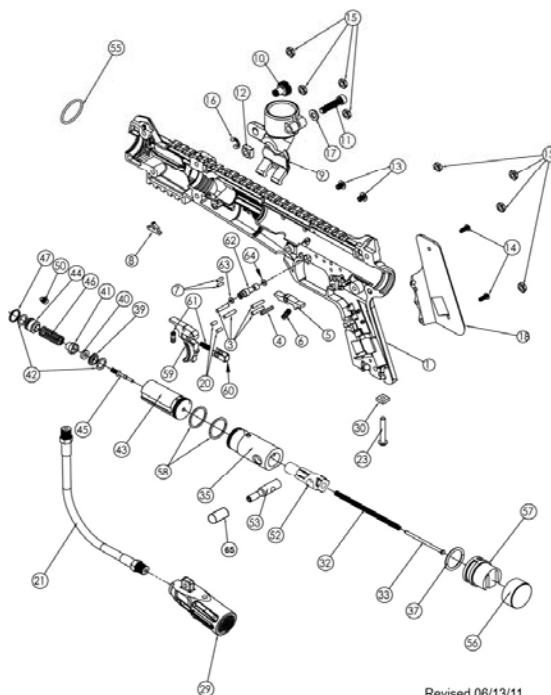


Tango One by TIPPMMANN®

Tippmann® Service Department
1-800-533-4831
www.tippmann.com



⚠ WARNING
DO NOT DISASSEMBLE THIS MARKER WHILE IT IS PRESSURIZED.
DO NOT PRESSURIZE A PARTIALLY ASSEMBLED MARKER.



Revised 06/13/11

ITEM NO.	QTY.	PT. NO.	DESCRIPTION
1	1	TA06053	Right Receiver Half
2	1	TA06052	Left Receiver Half
3	4	98-33	Receiver Dowel Pin
4	1	CA-36	Sear Dowel Pin (Black)
5	1	02-35	Sear
6	1	TA02036	Sear Spring
7	2	TA02021	ACT Linkage Arm Guide Pin
8	1	FA-18	Ball Latch
9	1	TA06051	Feed Elbow
10	1	TA06059	Feed Elbow Thumb Nut
11	1	PL-42C	Screw, ¼-20 x 1" SHCS
12	1	PL-42D	Nut, ¼-20 Square (Black)
13	2	98-26	Screw, 10-32 x ¼" BHCS
14	4	CA-02A	Screw, 6-32 x ¾" BHCS
15	8	9-PA	Nut, Hex 10-32 (Black)
16	1	TA06047	Lock Screw C-Clip
17	1	98-45	Flat Washer M6 (Black)
18	1	TA05004	Split Grip, Right
19	1	98-01A	Bolt, 10-32 x 0.675"
20	2	98-19	Return Slide Dowel Pin
21	1	98-09C	Gas Line, #4 x 7/8"
22	1	TA06003	Split Grip, Left
23	2	TA06048	Screw, 10-32 x 1.1875" BHCS
24	1	TA06064	TPN Jewel
25	3	TA06015	Screw, 10-32 x 0.840" LSHCS
26	4	TA09919	Screw, 10-32 x 0.500" LSHCS
27	1	TA06054	Foregrip
28	1	TA06055	Foregrip Clamp Plate
29	1	TA06049	Air Supply Adapter (ASA)
30	1	CA-08B	Nut, 10-32
31	1	TA06063	Tango One Nameplate
32	1	CA-14	Drive Spring

ITEM NO.	QTY.	PT. NO.	DESCRIPTION
33	1	CA-15	Guide Pin
34	1	SL2-4	O-ring, Front Bolt
35	1	TA02011	Rear Bolt
36	1	TA01016	Linkage Arm
37	1	98-57	O-ring, End Cap
38	1	98-40	O-ring, Barrel
39	1	CA-27	Front Valve Seat
40	1	PA-28	Valve Stem Cup Seal
41	1	CA-29	Valve Stem Cup
42	2	SL2-25	O-ring, Valve Seat
43	1	98-25N	Valve Body
44	1	98-56	Valve Plug
45	1	CA-30N	Valve Stem
46	1	98-32	Compression Spring
47	1	PA-31A	Snap Ring
48	1	98-21NR	Power Tube
49	1	02-17	Front Bolt
50	1	TA05021	Power Tube Plug
51	1	02-22	Velocity Set Screw
52	1	TA05005	Rear Bolt Plug
53	1	98-13	Rear Bolt Handle
54	1	TA06046	Barrel
55	1	TA06060	O-ring, Barrel Sleeve
56	1	TA06017	End Cap Cover
57	1	TA06006	End Cap
58	2	98-12A	O-ring, Valve/Rear Bolt
59	1	98-36A	Trigger
60	1	98-18	Trigger Return Slide
61	2	98-20	Spring
62	1	98-37N	Safety Pin
63	1	98-55	O-ring, Safety (Red)
64	1	FA-07	O-ring, Safety (Black)